

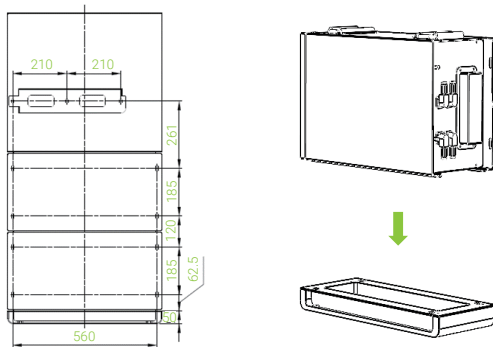
DR-5K-TL-AIO Quick Installation Guide

VERSION:990-0201-0004AA-EN

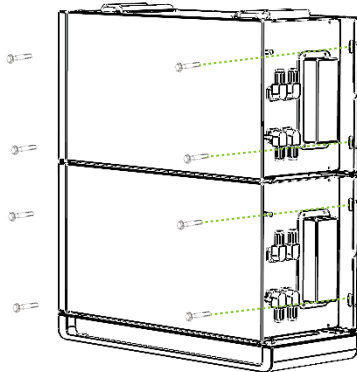
STEP 1 Put the anchor bracket on the solid floor.



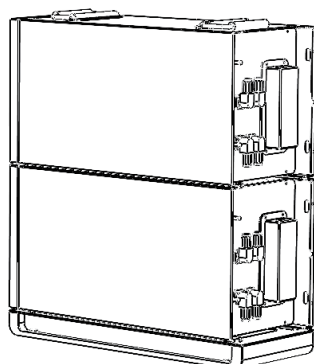
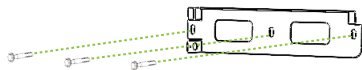
STEP 2 Mark the positions and drill holes. Lay down the LIB battery on the anchor and connect the link screws.



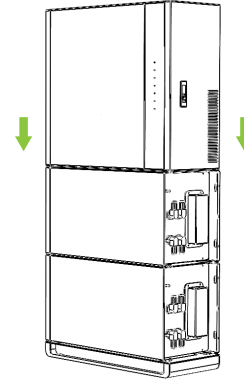
STEP 3 Lay down the other LIB battery and link them with screws. Fix the screws



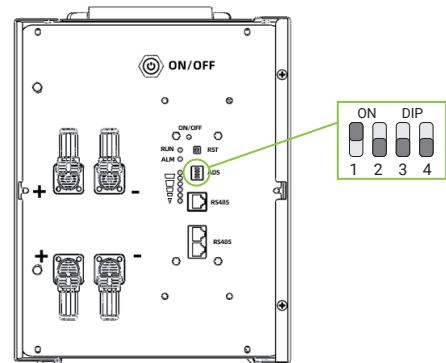
STEP 4 Fix the hanging bracket on the wall.



STEP 5 Put the PCS part on the bracket .

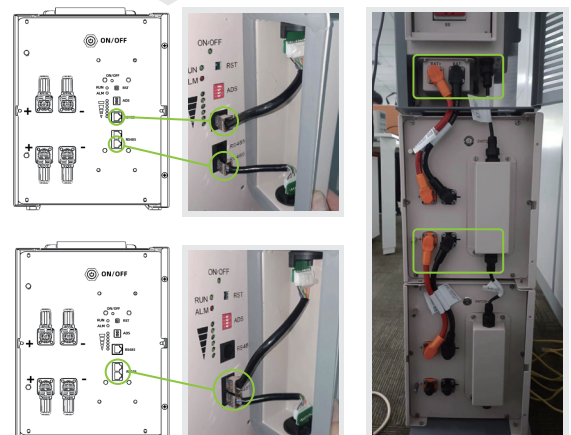


STEP 6 Remove the screw of the water-proof cover of battery pack. Set the BMS address.

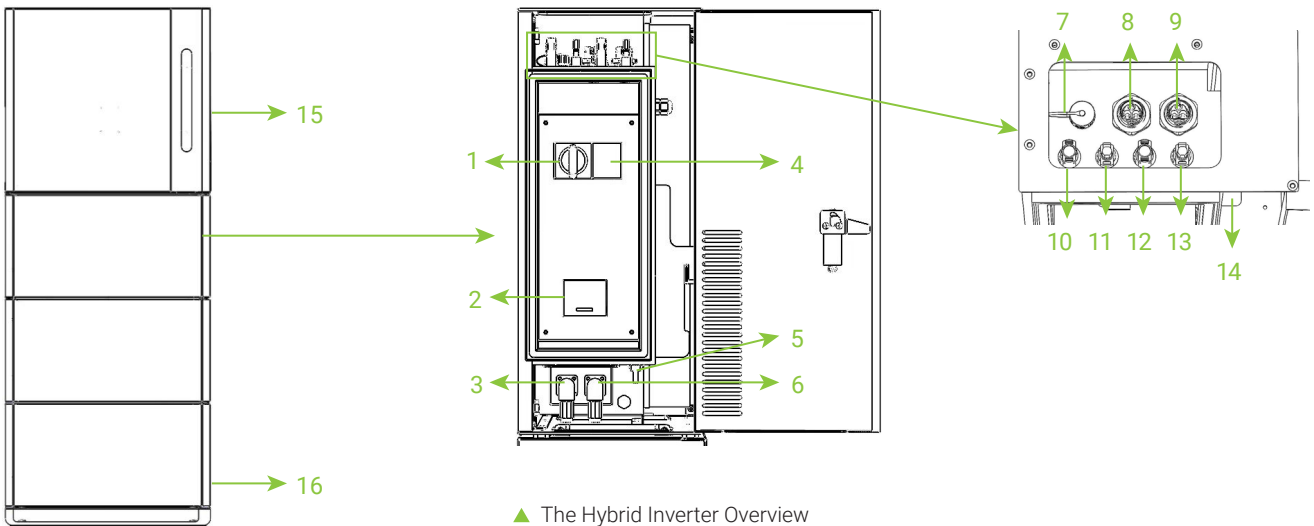


*Make sure the battery pack which BMS direct connect to PCS need set address 1#.

STEP 7 Reconnect the internal BMS wire. The BMS terminal .



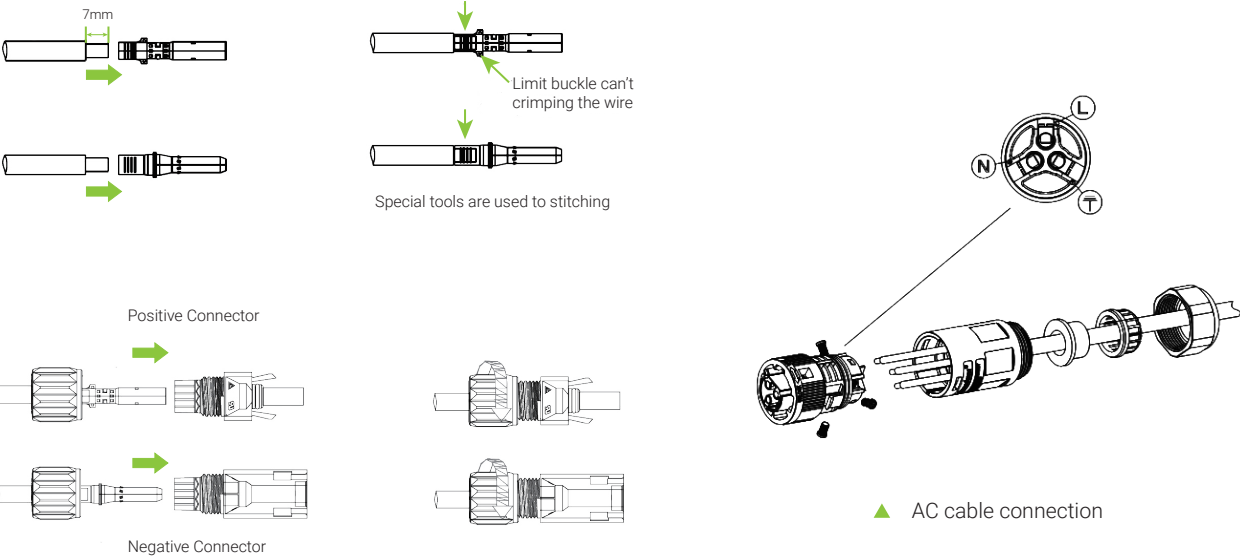
STEP 8 link the battery cable and BMS wire. Make sure the battery breaker is OPEN when connect battery cables.



▲ The Hybrid Inverter Overview

- | | | | |
|------------------|-----------------|-------------------|--------------------|
| 1 PV Switch | 5 BMS Connector | 9 GRID | 13 PV2+ Connector |
| 2 BAT Breaker | 6 BAT- | 10 PV1- Connector | 14 CT Wires Hole |
| 3 BAT+ Connector | 7 COM | 11 PV1+ Connector | 15 LED |
| 4 Meter | 8 LOAD | 12 PV2- Connector | 16 Battery Blocks* |

PV Cable size: 4~6mm²



▲ AC cable connection

	Check the PV switch on OFF position .
	Check the polarity of PV Connector. Make sure the polarity compatible and match with hybrid inverter.
	Turn OFF the upstream and downstream breaker. Make sure all the cable are inactive before connect the cable.
	Check the L,N,GND cable and fix them in the connector.